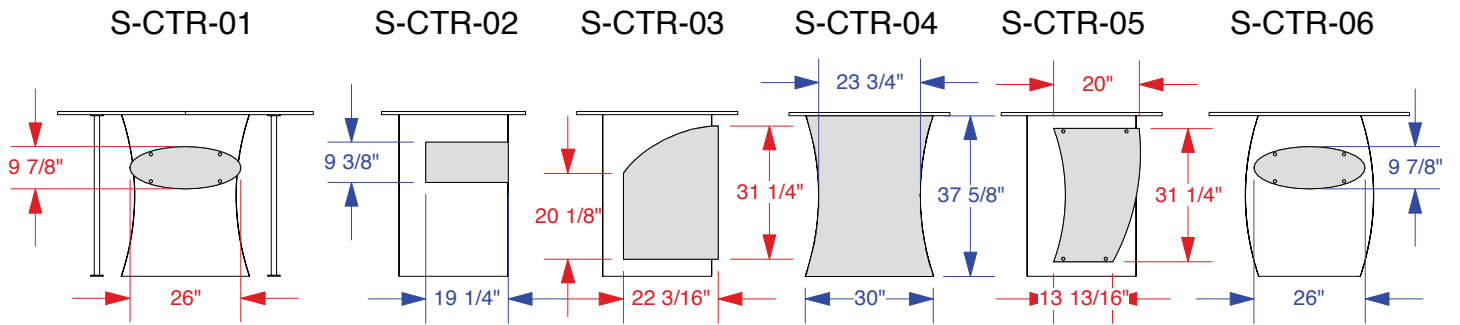
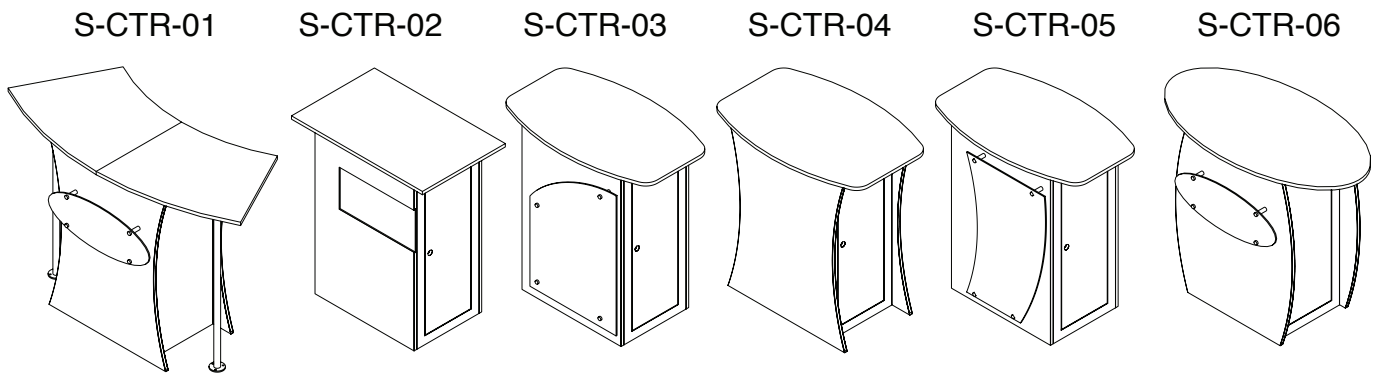


PLAN VIEW



FRONT VIEW



RIGHT ISOMETRIC